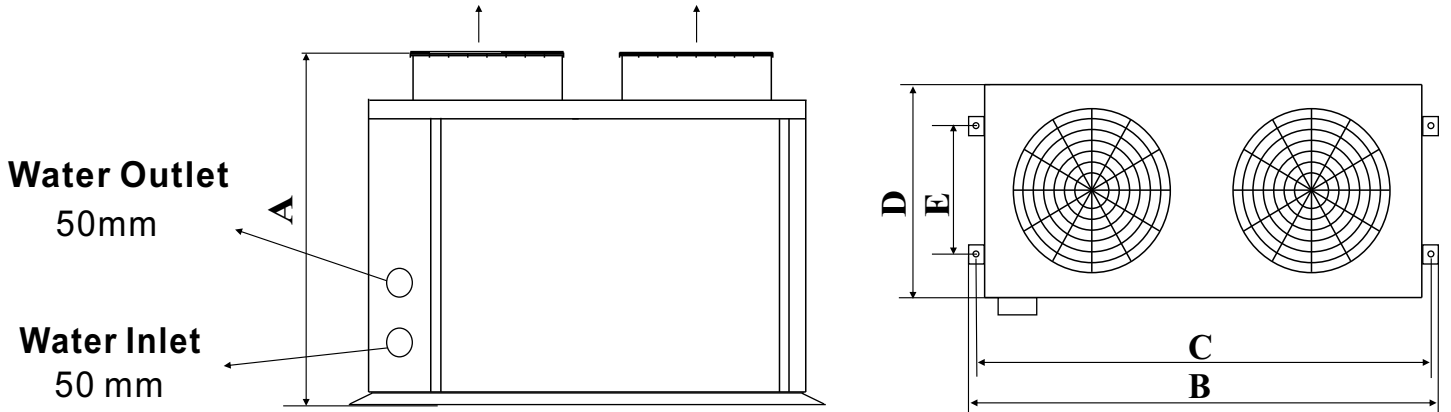




# Oasis 35 & 50 Dimensions & Clearances

**Airflow direction**



**Water Outlet**  
50mm

**Water Inlet**  
50 mm

**Horizontal vision**

**Vertical vision**

**Unit mm**

SIZE \ TYPE	Oasis C50S-U
A	976
B	1470
C	1448
D	725
E	516

